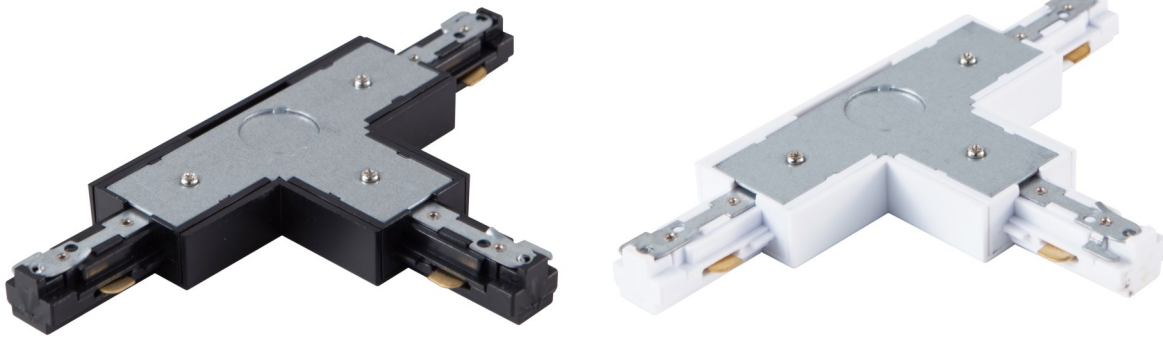


## Surface Mount 3 Wire Track "T" Joiner



### Technical Specification

Model	SE-3A-T-Left(Right)-Bk	SE-3A-T-Left(Right)-WH
Input Voltage	AC 240V 50/60Hz	
Description	Single live circuit /connect two tracks	
IP Grade	IP 20	
Housing Colour	White / Black	

